

Specifications:

Material And Finish:

Insulator:LCP UL94V-0

Contact:Copper alloy

Plated:See Ordering Information

Rating:

Current Rating:12.0 Amp

Voltage Rating:250V AC/DC

Operating Temperature Range:LCP:-55°~+125°C

Electrical:

Contact resistance:20m Ohm Max

Insulator resistance:1000M ohm min.

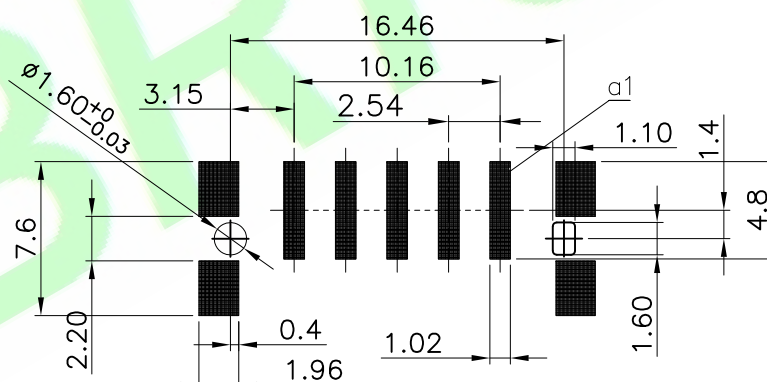
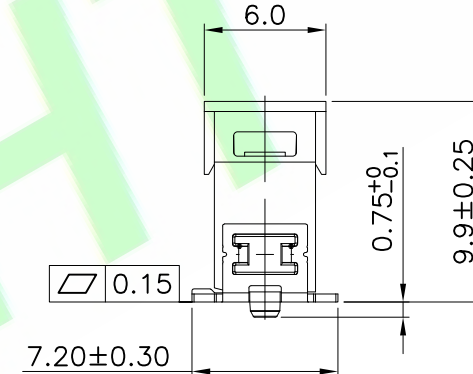
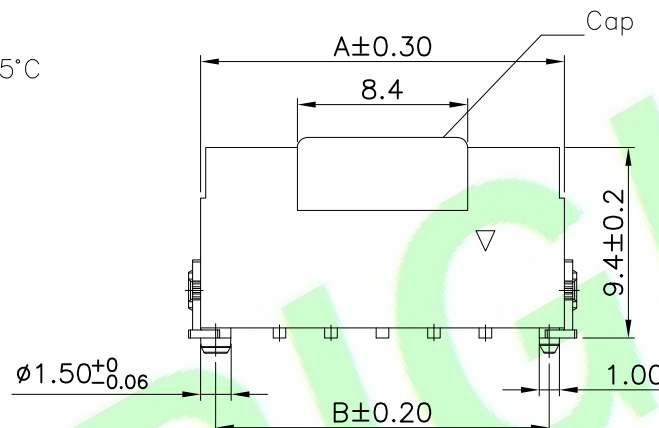
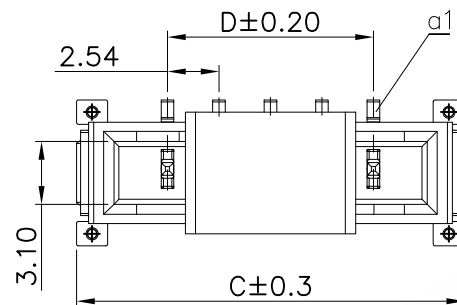
Withstanding Voltage:1000V AC/Minute

Ordering Information

M2540M-XXH-XX-F

1 2 3 4 5 6

- 1: — Series No.
- 2: — M:SMT Type
- 3: — No. of Positions
- 4: — H:Gold flash on contact;
Matte Tin on tail
- 5: — 01:A Type White
02:B Type Red
03:C Type Green
04:D Type Blue
05:E Type Black
- 6: — F:W/Cap In Tape&Reel



Recommended PCB Layout

5X			
4X			
3X			
2X			
1X	ORIGINAL	Judyyan	
REV.	DESCRIPTION	DR.BY	ECN. NO.

DR.BY.: Samson	GENERAL TOLERANCE:	
CHKD.: Tony	LINEAR	ANGLES
APPD.: Billy	X.: ±0.30	X': ±5.0°
	X.X: ±0.20	X.X': ±3.0°
	X.XX: ±0.10	X.XX': ±2.0°
	X.XXX: ±0.10	X.XXX': ±1.0°

PART NO : M2540M-XXH-XX-F
DWG. NO.:
TITLE : M2.54 SRC-A SMT Type
DATE: 5-Sep-2021

HJBRIGHT® 東莞市華晶電子有限公司
BRIGHT-E ELECTRONIC TECHNOLOGY LIMITED

SHEET: 1/2
SCALE: 1:1
UNIT: mm

THIRD ANGLE PROJECTION

A4

POS	HEADER P/N	Dimensiong mm				Color	POS	HOUSING P/N	Color	Terminal P/N
		A	B	C	D					
2P	M2540M-02H-01-F	10.34	8.84	11.54	2.54	WHITE	2P	M2540-02P-01-A	WHITE	M2540T-PA2 Plating: Gold 30u" plated on contact Area, Bright Tin plated on Solder Area
	M2540M-02H-02-F					RED		M2540-02P-02-A	RED	
	M2540M-02H-03-F					GREEN		M2540-02P-03-A	GREEN	
	M2540M-02H-04-F					BLUE		M2540-02P-04-A	BLUE	
	M2540M-02H-05-F					BLACK		M2540-02P-05-A	BLACK	
3P	M2540M-03H-01-F	12.88	11.38	14.08	5.08	WHITE	3P	M2540-03P-01-A	WHITE	
	M2540M-03H-02-F					RED		M2540-03P-02-A	RED	
	M2540M-03H-03-F					GREEN		M2540-03P-03-A	GREEN	
	M2540M-03H-04-F					BLUE		M2540-03P-04-A	BLUE	
	M2540M-03H-05-F					BLACK		M2540-03P-05-A	BLACK	
4P	M2540M-04H-01-F	15.42	13.92	16.62	7.62	WHITE	4P	M2540-04P-01-A	WHITE	
	M2540M-04H-02-F					RED		M2540-04P-02-A	RED	
	M2540M-04H-03-F					GREEN		M2540-04P-03-A	GREEN	
	M2540M-04H-04-F					BLUE		M2540-04P-04-A	BLUE	
	M2540M-04H-05-F					BLACK		M2540-04P-05-A	BLACK	
5P	M2540M-05H-01-F	17.96	16.46	19.16	10.16	WHITE	5P	M2540-05P-01-A	WHITE	
	M2540M-05H-02-F					RED		M2540-05P-02-A	RED	
	M2540M-05H-03-F					GREEN		M2540-05P-03-A	GREEN	
	M2540M-05H-04-F					BLUE		M2540-05P-04-A	BLUE	
	M2540M-05H-05-F					BLACK		M2540-05P-05-A	BLACK	
6P	M2540M-06H-01-F	20.5	19	21.7	12.7	WHITE	6P	M2540-06P-01-A	WHITE	
	M2540M-06H-02-F					RED		M2540-06P-02-A	RED	
	M2540M-06H-03-F					GREEN		M2540-06P-03-A	GREEN	
	M2540M-06H-04-F					BLUE		M2540-06P-04-A	BLUE	
	M2540M-06H-05-F					BLACK		M2540-06P-05-A	BLACK	
8P	M2540M-08H-01-F	25.58	24.08	26.78	17.78	WHITE	8P	M2540-08P-01-A	WHITE	
	M2540M-08H-02-F					RED		M2540-08P-02-A	RED	
	M2540M-08H-03-F					GREEN		M2540-08P-03-A	GREEN	
	M2540M-08H-04-F					BLUE		M2540-08P-04-A	BLUE	
	M2540M-08H-05-F					BLACK		M2540-08P-05-A	BLACK	

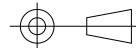
5X			
4X			
3X			
2X			
1X	ORIGINAL	Judyyan	
REV.	DESCRIPTION	DR.BY	ECN. NO.

DR.BY.: Samson	GENERAL TOLERANCE:	
CHKD.: Tony	LINEAR	ANGLES
APPD.: Billy	x.: ±0.30	x': ±5.0°
	x.xx: ±0.20	x.x': ±3.0°
	x.xxx: ±0.10	x.xxx': ±1.0°

PART NO : M2540M-XXH-XX-F
DWG. NO.:
TITLE : M2.54 SRC-A SMT Type
DATE: 5-Sep-2021

HJBRIGHT® 東莞市華晶電子有限公司
BRIGHT-E ELECTRONIC TECHNOLOGY LIMITED

SHEET: 2/2
SCALE: 1:1
UNIT: mm



THIRD ANGLE PROJECTION

A4