

Specifications:
 Material And Finish:
 Contact:Copper alloy
 Plated:See Ordering Information

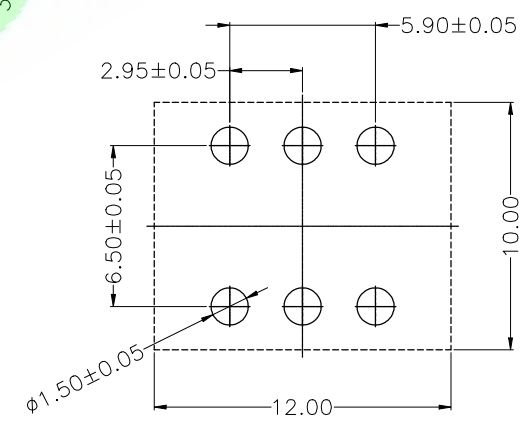
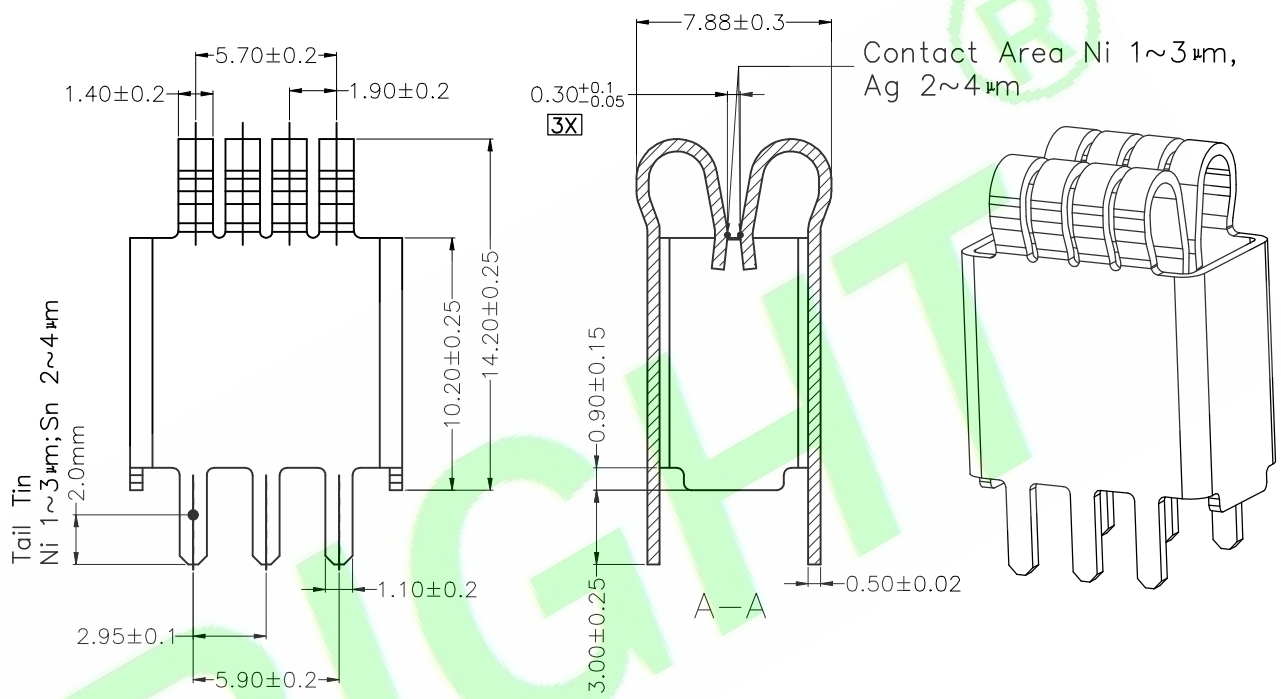
Rating:
 Current Rating:80 Amp
 Voltage Rating:250V AC/DC
 Operating Temperature Range:-40~+125°C

Electrical:
 Contact resistance:1m Ohm Max
 Insulator resistance:1000M ohm min.
 Withstanding Voltage:1000V AC/Minute

Ordering Information

SFPC-06-X-X
 1 2 3

- 1: — Series No.
- 2: — Q:Matte Tin Plated
 AT:Contact Silver ;Matte Tin Plated
 (Contact Area Ag 2~4µm,Tail Tin 2~4µm Cover Nick 1~3µm)
- 3: — A:In bag
 B:In Tube
 C:In Tray
 G:W/O Cap in Tape&Reel



Recommended PCB Layout

3X	Correction of annotations	Judyyan	20260402
2X	New electroplating options added	Judyyan	20251119
1X	ORIGINAL	Mark	
REV.	DESCRIPTION	DR.BY	ECN. NO.

DR.BY.: Mark	GENERAL TOLERANCE:		PART NO : SFPC-06-X-X
CHKD.: Tony	LINEAR	ANGLES	DWG. NO.:
APPD.: Billy	x.: ±0.15	x': ±5.0°	TITLE : SFPC Terminal
	x.x: ±0.10	x.x': ±3.0°	DATE: 8-Aug-2022
	x.xx: ±0.05	x.xx': ±2.0°	
	x.xxx:	x.xxx': ±1.0°	

HJBRIGHT 東莞市華晶電子有限公司
 BRIGHT-E ELECTRONIC TECHNOLOGY LIMITED

SHEET: 1/1
 SCALE: 1:1
 UNIT: mm

THIRD ANGLE PROJECTION

A4