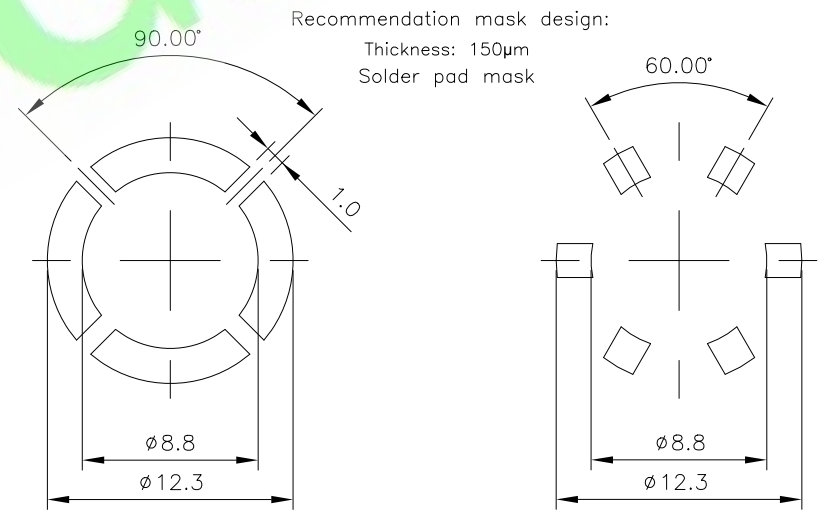
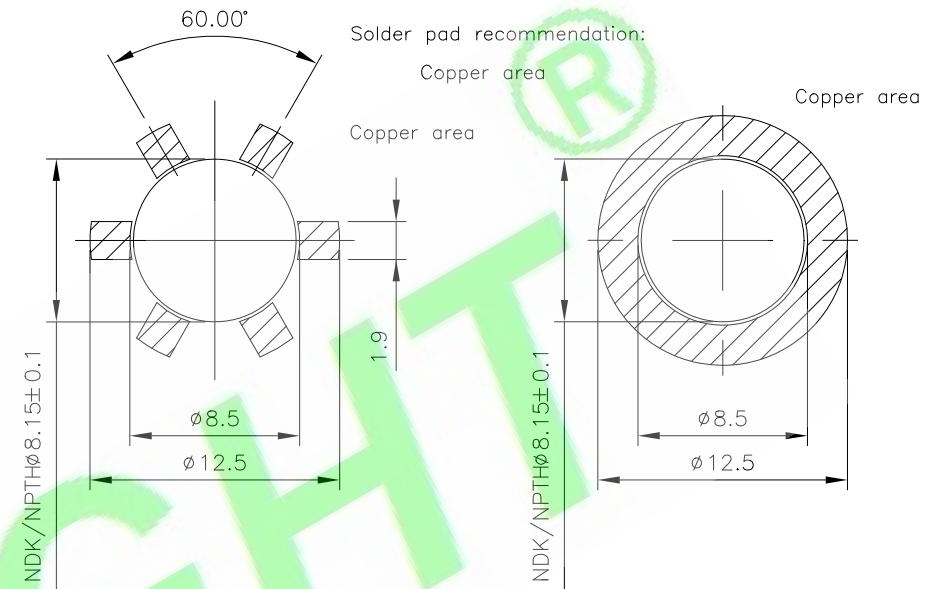
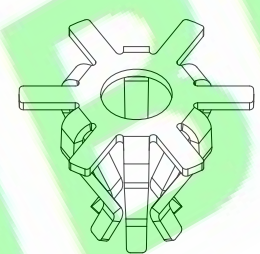


Material: CuNi3SiMg



1X	ORIGINAL	Xiao	
REV	DESCRIPTION	DR.BY	ECN. NO.

DR.BY.: Xiao	GENERAL TOLERANCE:	
CHKD.: Judyyan	LINEAR	ANGLES
APPD.: Billy	x.: ±0.30	x': ±5.0°
	x.x: ±0.20	x.x': ±3.0°
	x.xx: ±0.15	x.xx': ±2.0°
	x.xxx: ±0.10	x.xxx': ±1.0°

PART NO.: TK99763-AGA
DWG. NO.:
TITLE : LF PowerBasket SMD Basket ø3 SMD
DATE: 12-Jun-2026

**HJBRIGHT®** 東莞市華晶電子有限公司  
BRIGHT-E ELECTRONIC TECHNOLOGY LIMITED

SHEET: 1/1		<b>A4</b>
SCALE: 1:1		
UNIT: mm		