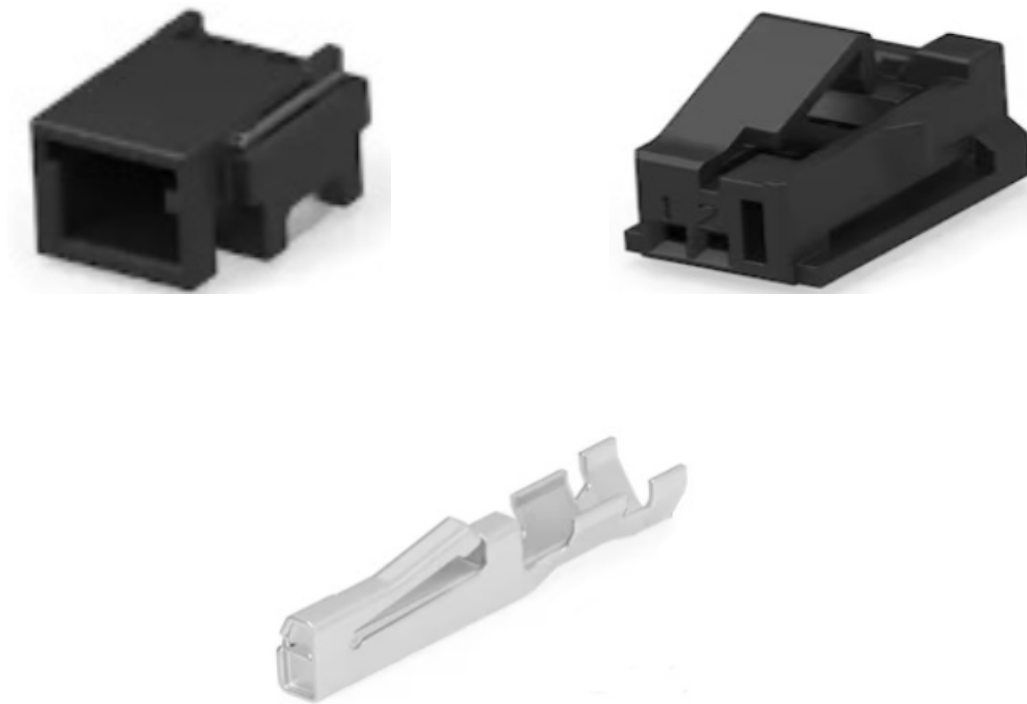


**.050''(1.27mm) Pitch/Disconnectable
Insulation Displacement Connectors**

.050''(1.27mm) Connectors



.050" (1.27mm) Pitch SMT Wafer

HJBRIGHT®



Specifications:

Material And Finish:

Insulator: PA9T UL94V-0

Contact: Copper alloy

Plated: See Ordering Information

Rating:

Current Rating: 2.0 Amp

Operating Temperature Range: -40°~+130°C

Electrical:

Insulator resistance: 100M ohm min.

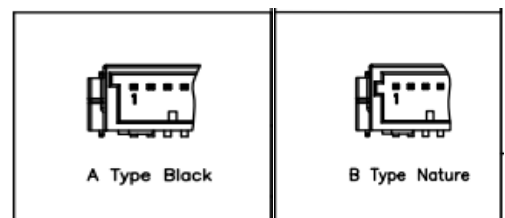
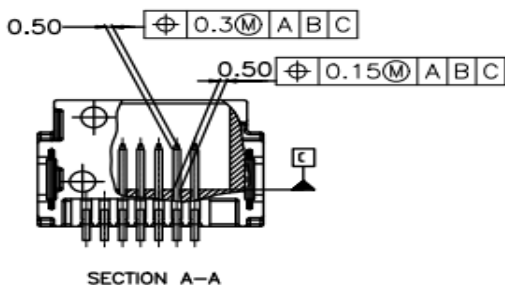
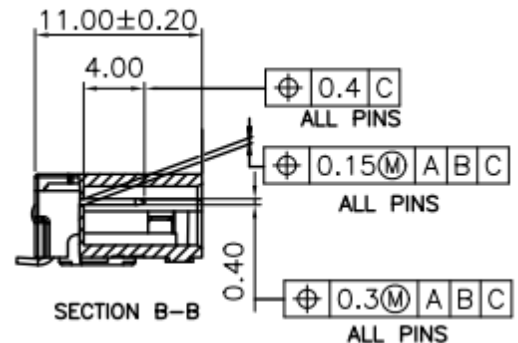
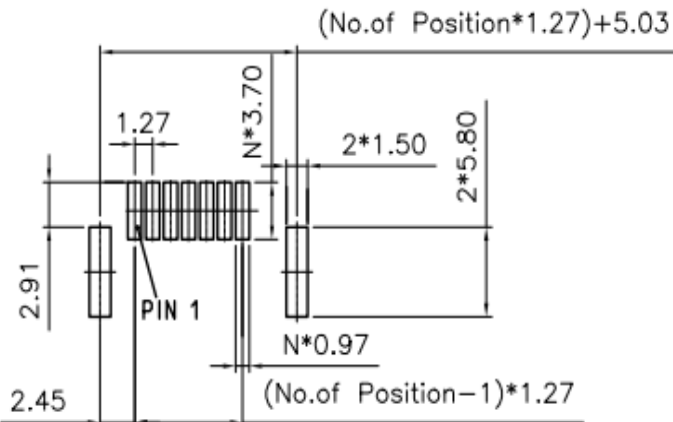
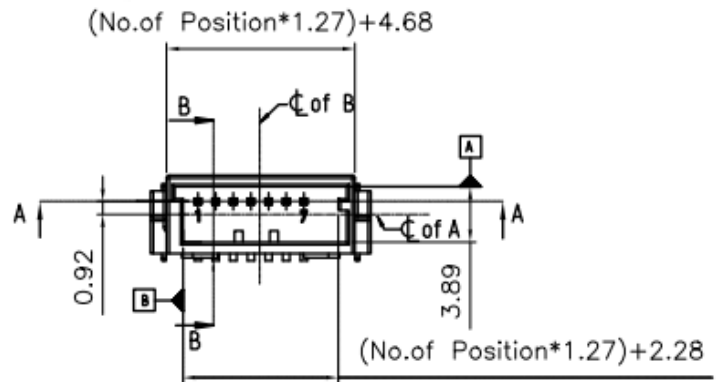
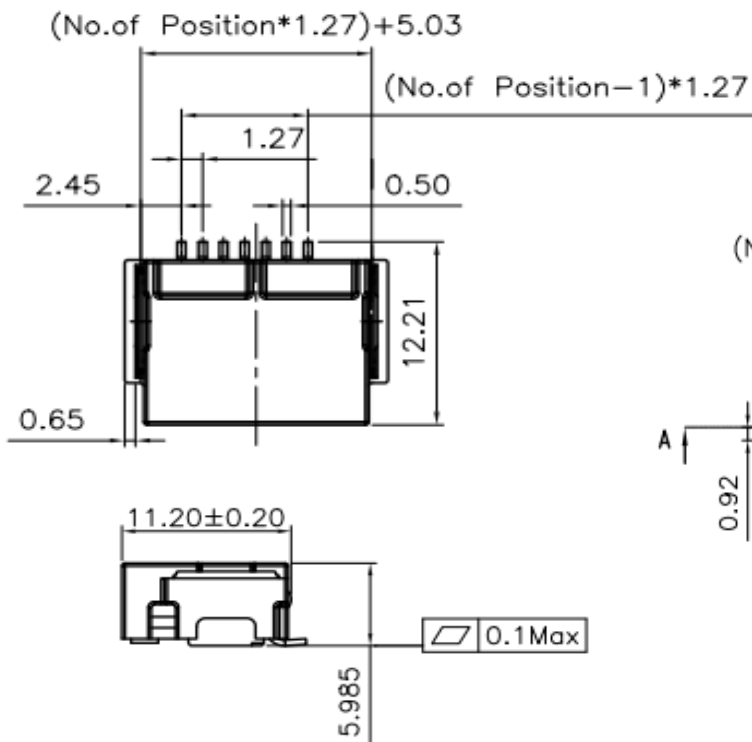
According to the requirements of LV214

Ordering Information

A1270H-XXX-XX-X

1 2 3 4 5 6

- 1: — Series No.
- 2: — H: Horizontal SMT Type
- 3: — No. of Positions (02-10)
- 4: — A: Gold Flash
H: Selective Gold Plated
Q: Tin Plated
S: Matte Tin Plated
- 5: — 01: A Type
02: B Type
- 6: — A: In Bag
B: In Tube
G: In Tape & Reel



东莞市华晶电子有限公司
<http://www.hjbright.com>

.050" (1.27mm) Pitch SMT Wafer

HJBRIGHT®

Specifications:
 Material And Finish:
 Insulator:PBT+10%GF UL94V-0,

Rating:
 Current Rating:2.0 Amp
 Operating Temperature Range:-40~+130°C

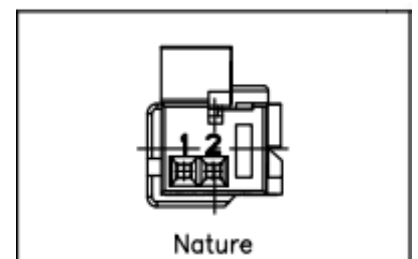
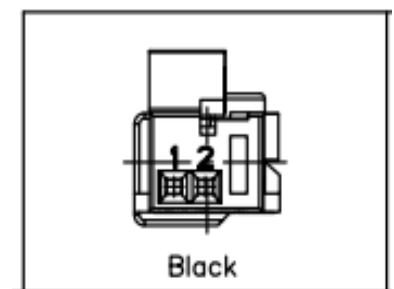
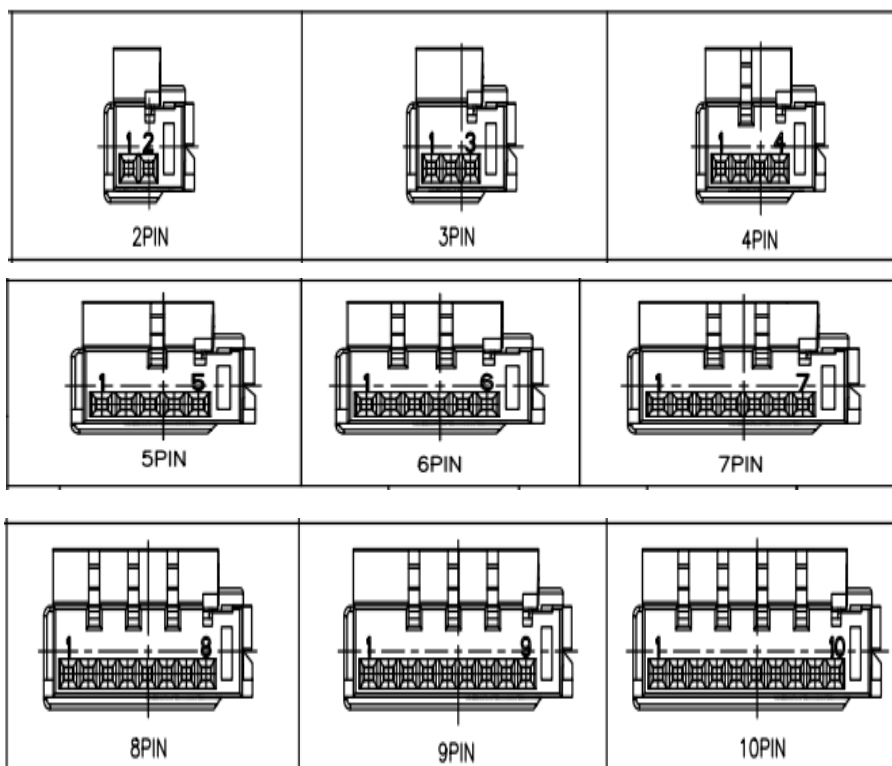
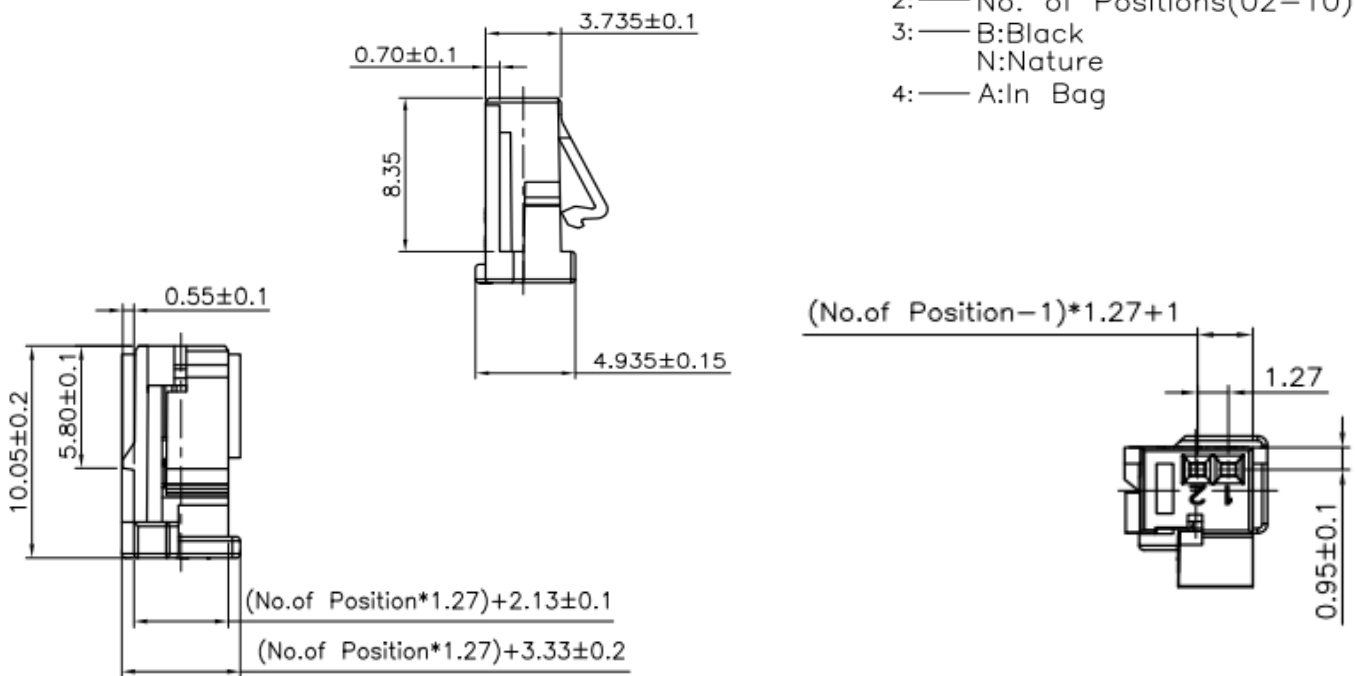
Electrical:
 Insulator resistance:100M ohm min.

According to the requirements of LV214



Ordering Information

- H1270-XXP-XA**
- | | | |
|---|---|---|
| 1 | 2 | 3 |
|---|---|---|
- 1: — Series No.
 - 2: — No. of Positions(02-10)
 - 3: — B:Black
N:Nature
 - 4: — A:In Bag



东莞市华晶电子有限公司
<http://www.hjbright.com>



Specifications:
 Material: High Conductivity Copper
 Wire Range: AWG#24~26
 Insulation O.D.: 0.95-1.05

Ordering Information
H1270T-PX-02

1 2 3

- 1: — Series No.
- 2: — T: Terminal
- 3: — A: Gold Flash
 Q: Tin Plated

