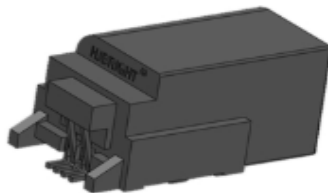


**.070''(1.80mm) Pitch/Disconnectable
Insulation Displacement Connectors**

.070''(1.80mm) Connectors



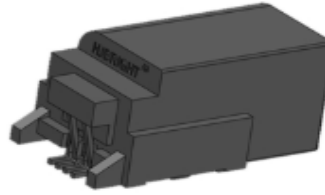
Specifications:

Material And Finish:

Insulator:PA9T Color:Black

Contact:Copper Alloy

Plated:See Ordering Information



Rating:

Current Rating:3 Amp/Pin

Voltage Rating:50V AC/DC

Operating Temperature

Range:-40~+125°C

Electrical:

Contact resistance:20m Ohm Max

Insulator resistance:500M ohm min.

Withstanding Voltage:500V AC/Minute

Ordering Information

A18001H-04S-01-G

1 2 3 4 5

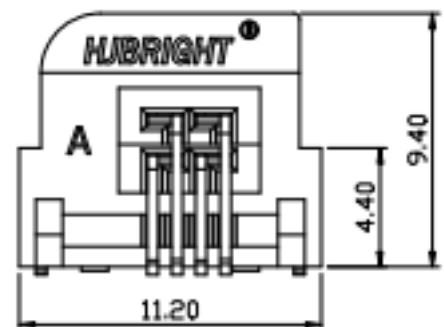
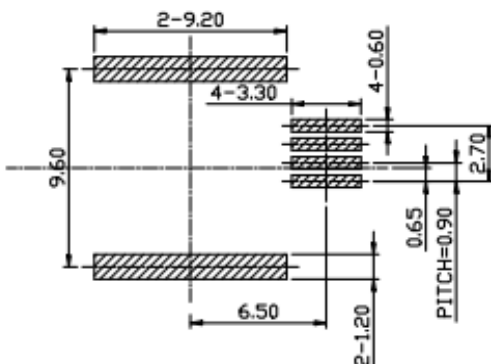
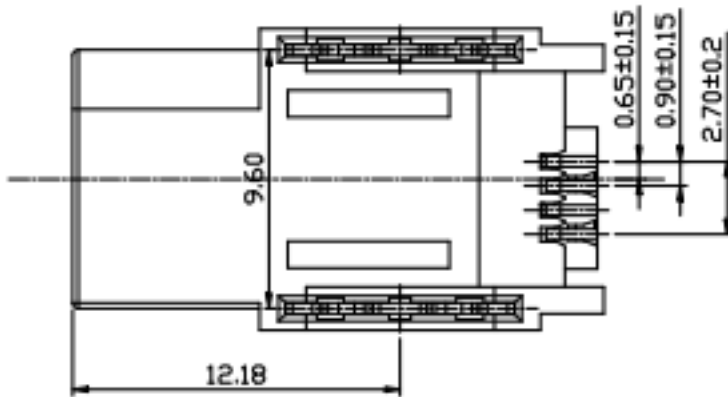
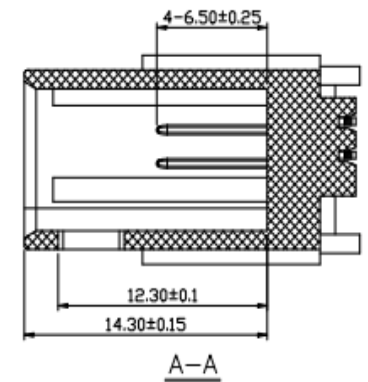
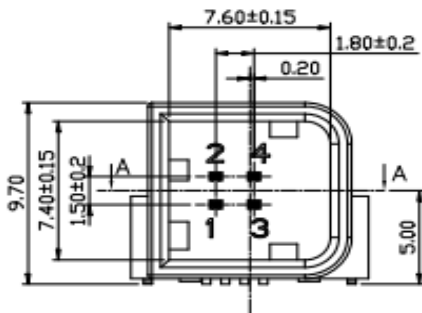
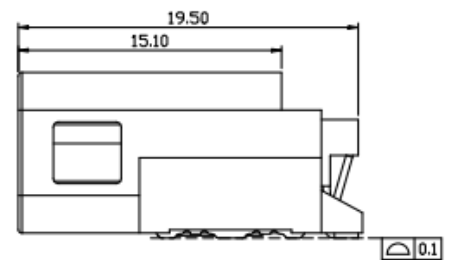
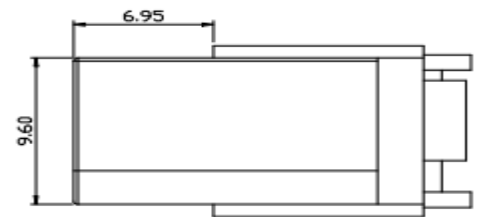
1: — Series No.

2: — H:Horizontal SMT Type

3: — No. of Positions

4: — S:Matte Tin Plated

5: — G:In Tape&Reel



PCB LAYOUT (TOP VIEW)

Tolerance:±0.05mm