

**.156''(3.96mm) Pitch/Disconnectable
Insulation Displacement Connectors**

.156''(3.96mm) Connectors



Specifications:

Material And Finish:

Insulator:Nylon66 UL94V-0

Color:Natural

Rating:

Current Rating:7.0 Amp

Voltage Rating:250V AC/DC

Operating Temperature Range:-25~+85°C

Electrical:

Contact resistance:20m Ohm Max

Insulator resistance:1000M ohm min.

Withstanding Voltage:800V AC/Minute

Qty/Bag:1000PCS



Ordering Information

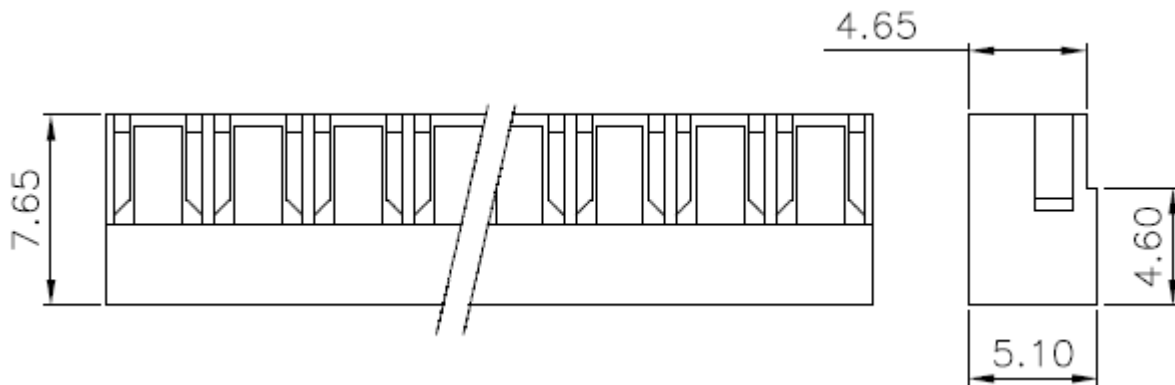
H39613-XXP-01-A

1 2 3

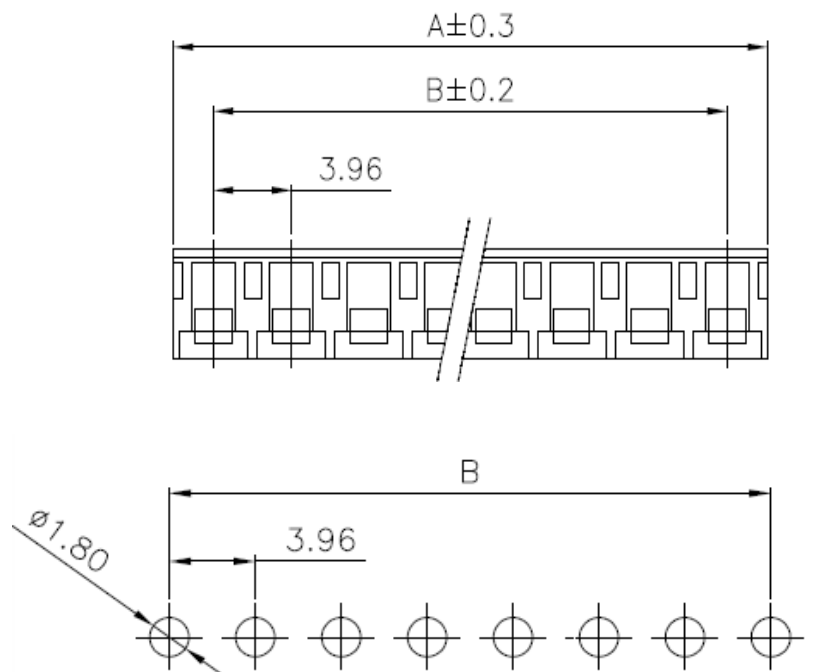
1: — Series No.

2: — No. of Positions

3: — A:In Bag



PIN	A	B
2	8.56	3.96
3	12.52	7.92
4	16.48	11.88
5	20.44	15.84
6	24.40	19.80
7	28.36	23.76
8	32.32	27.72
9	36.28	31.68
10	40.24	35.64
11	44.20	39.60
12	48.16	43.56
13	52.12	47.52
14	56.08	51.48
15	60.04	55.44



P.C.B LAYOUT